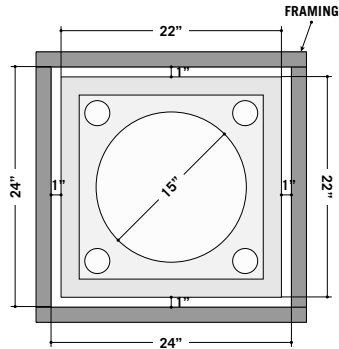


MINIMUM CHASE FRAMING REQUIREMENTS

MASONRY CHIMNEY BLOCK

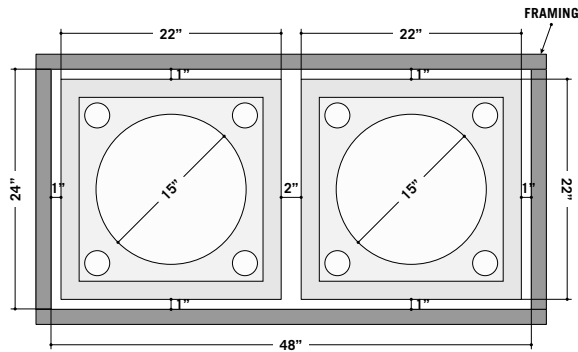
1 FLUE

FRAME
24" x 24"



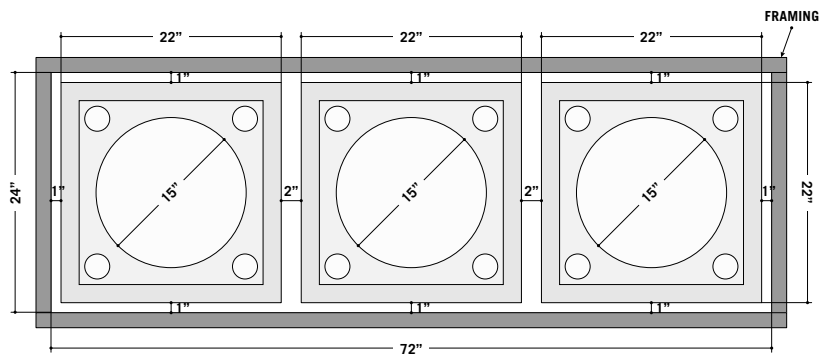
2 FLUES

FRAME
48" x 24"



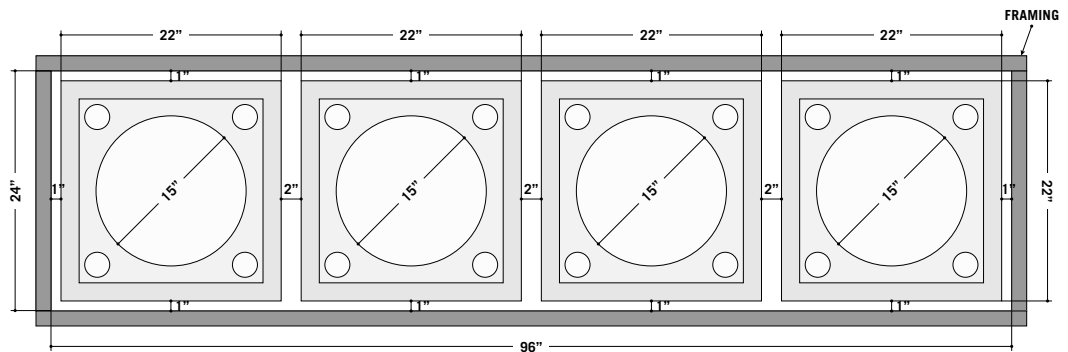
3 FLUES

FRAME
72" x 24"



4 FLUES

FRAME
96" x 24"

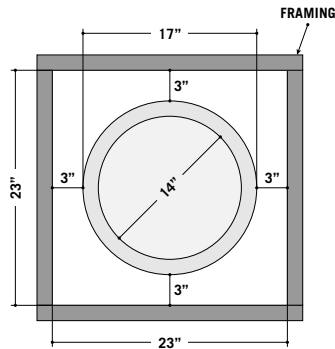


MINIMUM CHASE FRAMING REQUIREMENTS

METAL CHIMNEY SYSTEM

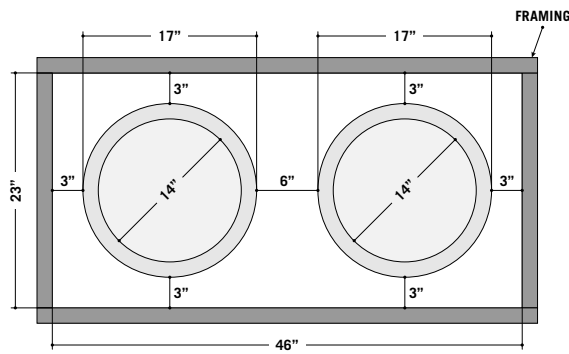
1 FLUE

FRAME
23" x 23"



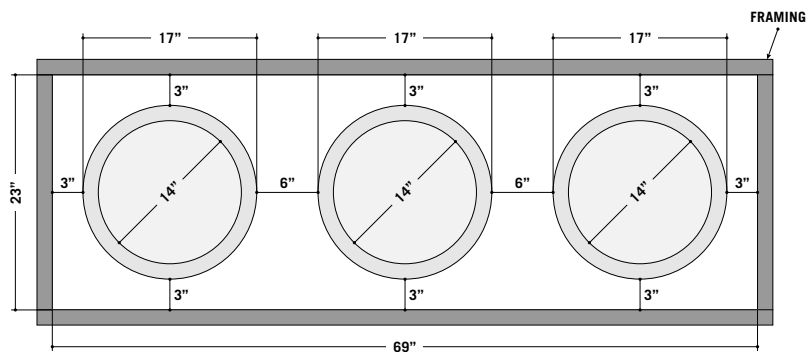
2 FLUES

FRAME
46" x 23"



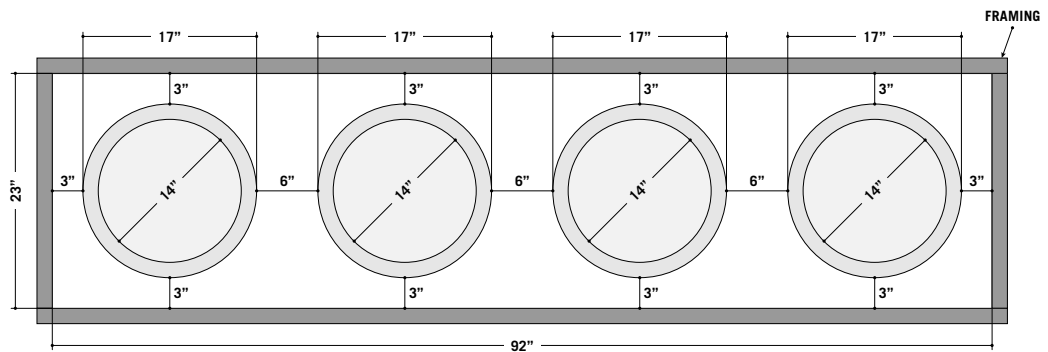
3 FLUES

FRAME
69" x 23"



4 FLUES

FRAME
92" x 23"



MINIMUM CHASE FRAMING REQUIREMENTS

MASONRY CHIMNEY WITH BRICK FLANGE

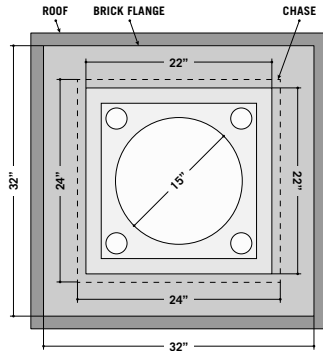
1 FLUE

FRAME

24" x 24"

ROOF

32" x 32"



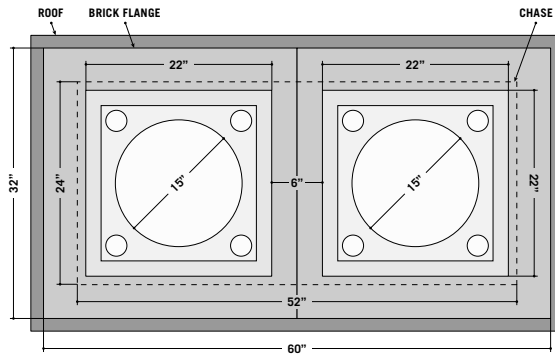
2 FLUES

FRAME

52" x 24"

ROOF

60" x 32"



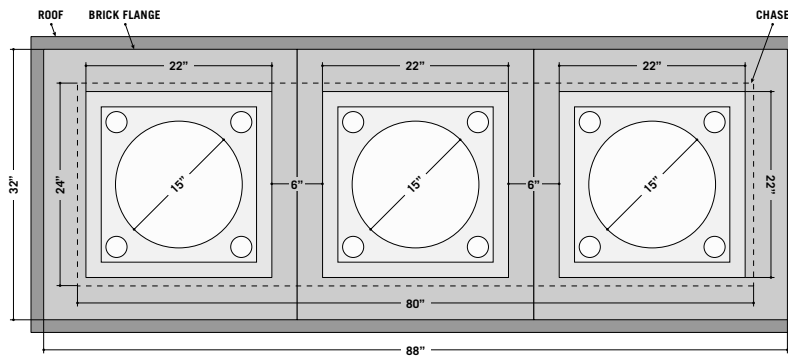
3 FLUES

FRAME

80" x 24"

ROOF

88" x 32"



4 FLUES

FRAME

108" x 24"

ROOF

116" x 32"

