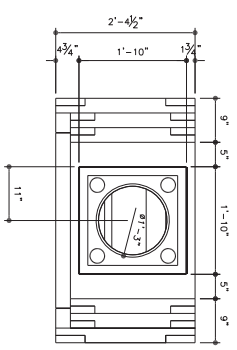


# FireRock

The fireplace, rekindled.

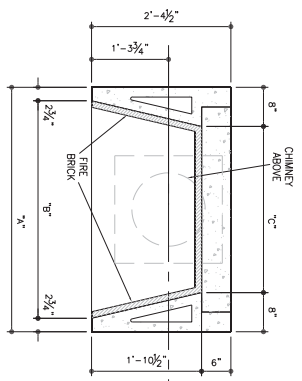
## OUTDOOR FIREPLACE SYSTEM



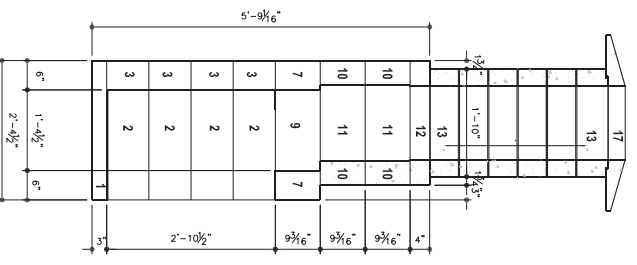
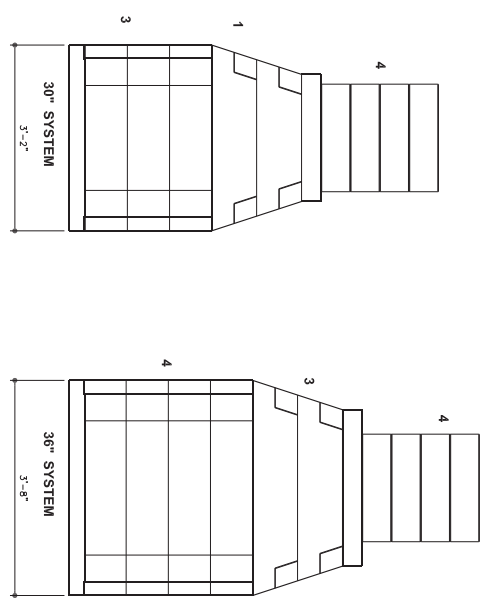
**CHIMNEY PLAN** SCALE: 1" = 1'-0"

FIREPLACE SIZE	DIM A	DIM B
30	38"	32 1/2"
36	44"	38 1/2"
42	50"	44 1/2"
48	56"	50 1/2"

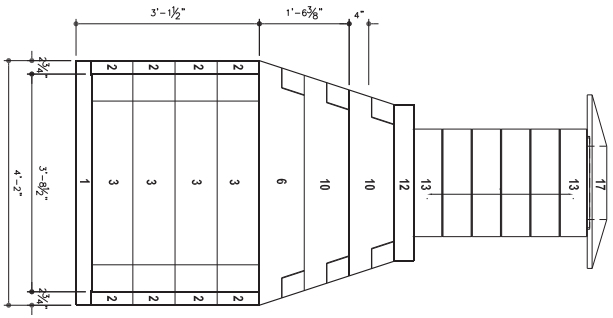
42" SIZE SHOWN TO SCALE - THIS DRAWING



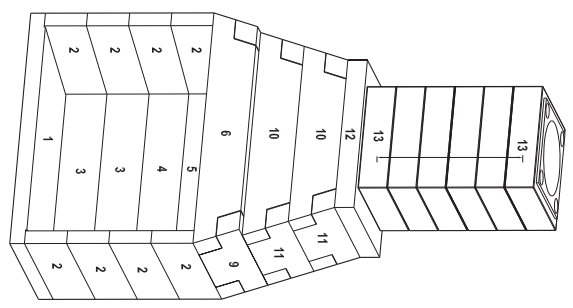
**FIREBOX PLAN** SCALE: 1" = 1'-0"



**SECTION A-A** SCALE: 1" = 1'-0"



**FRONT ELEVATION** 42" SYSTEM SCALE: 1" = 1'-0"



**ISOMETRIC** SCALE: 1" = 1'-0"

#	COMPONENT NAME
1	BASE PLATE
2	FIREBOX SIDE
3	FIREBOX BACK STRAIGHT BACK BLOCK
4	FIREBOX BACK-LEVEL 3
5	FIREBOX BACK-LEVEL 4
6	RADIUS THROAT FRONT
7	SQUARE THROAT BACK
8	THROAT LEFT SIDE
9	THROAT RIGHT SIDE
10	SMOKE CHAMBER FRONT AND BACK
11	UNIVERSAL SMOKE CHAMBER SIDES
12	CHIMNEY BASE
13	CHIMNEY BLOCK
17	CHIMNEY CAP