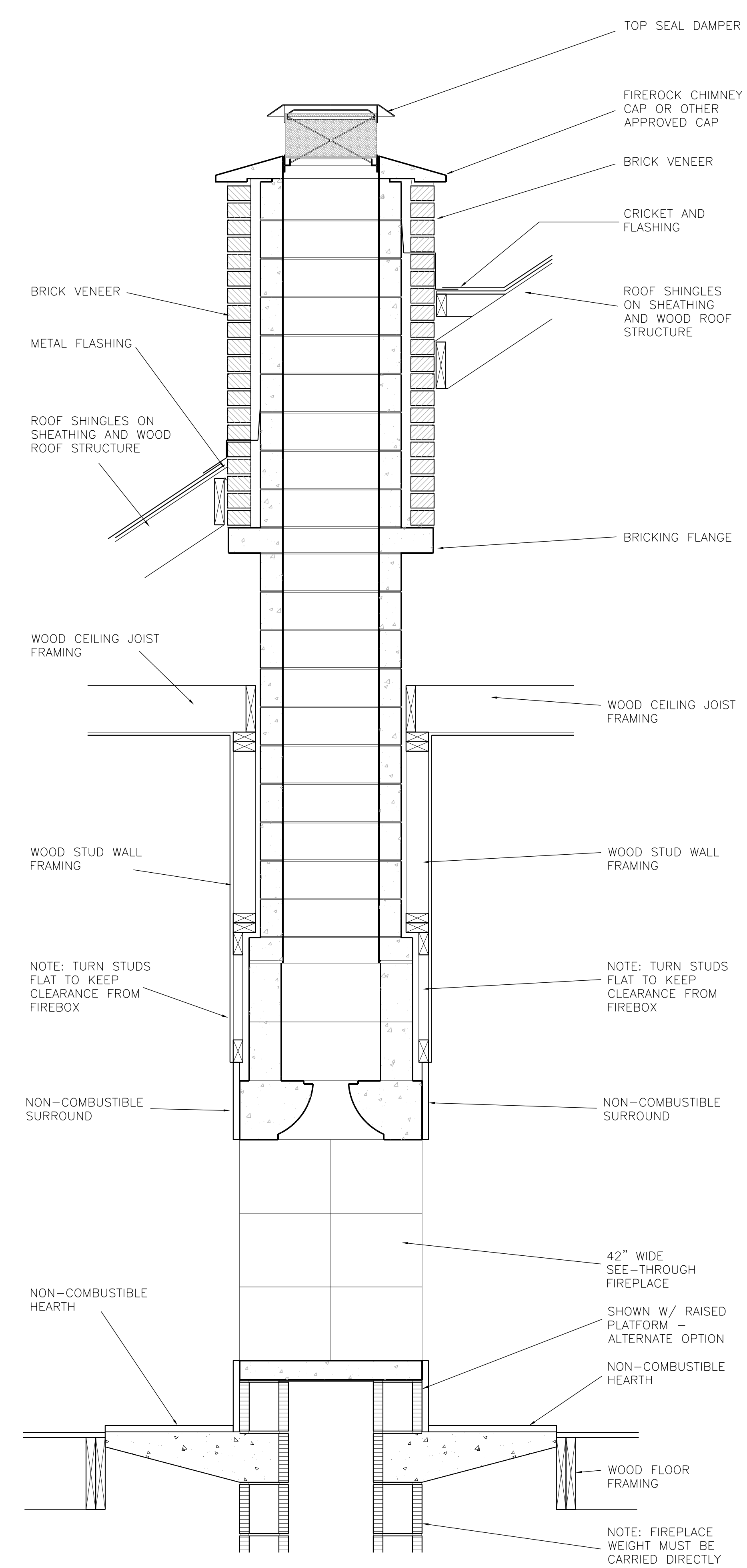


SECTION- BRICK/ STONE ON ENTIRE FIREPLACE

SCALE: 1" = 1'-0"



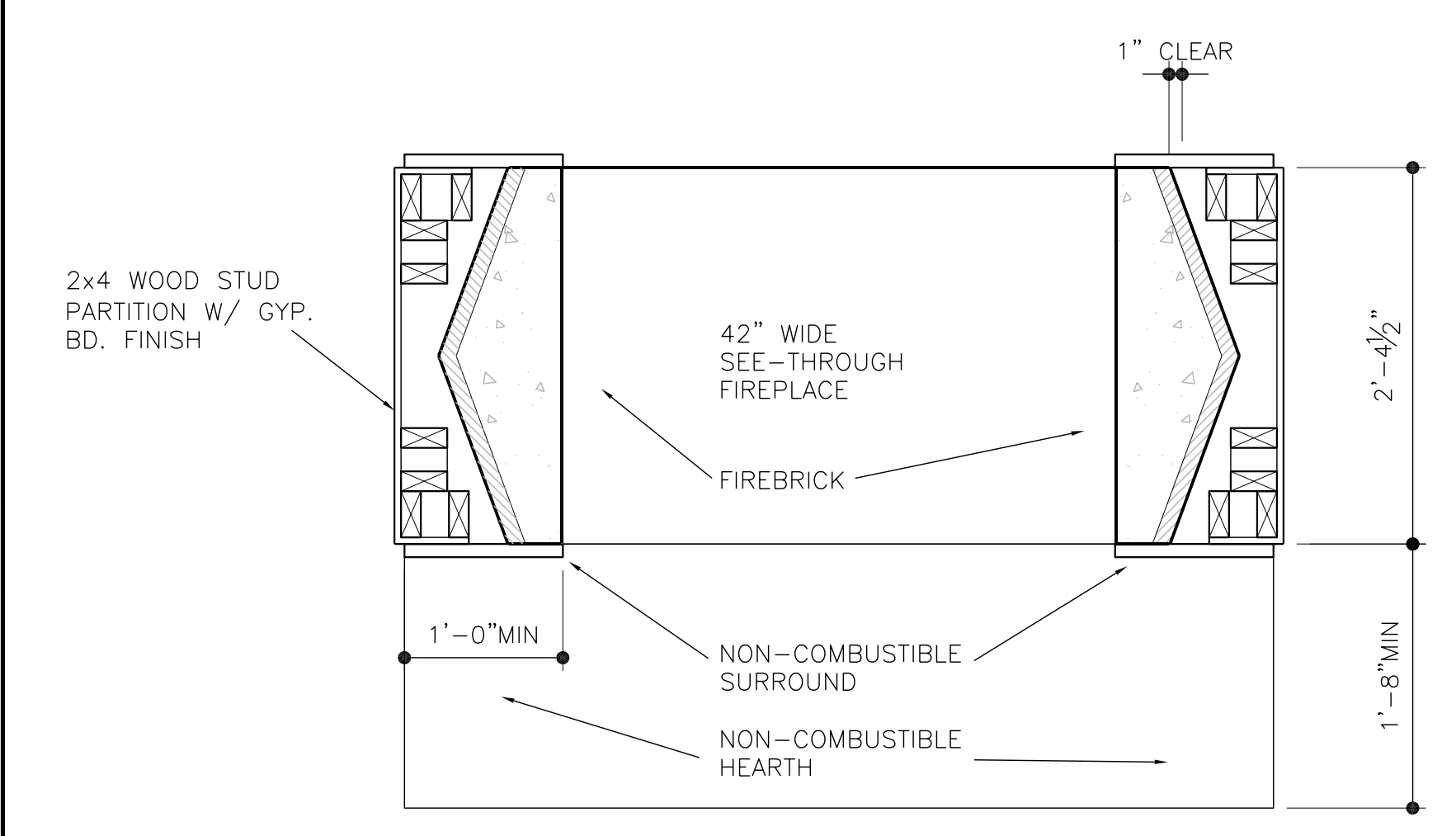
SECTION- BRICK/ STONE CHIMNEY

SCALE: 1" = 1'-0"

FireRock

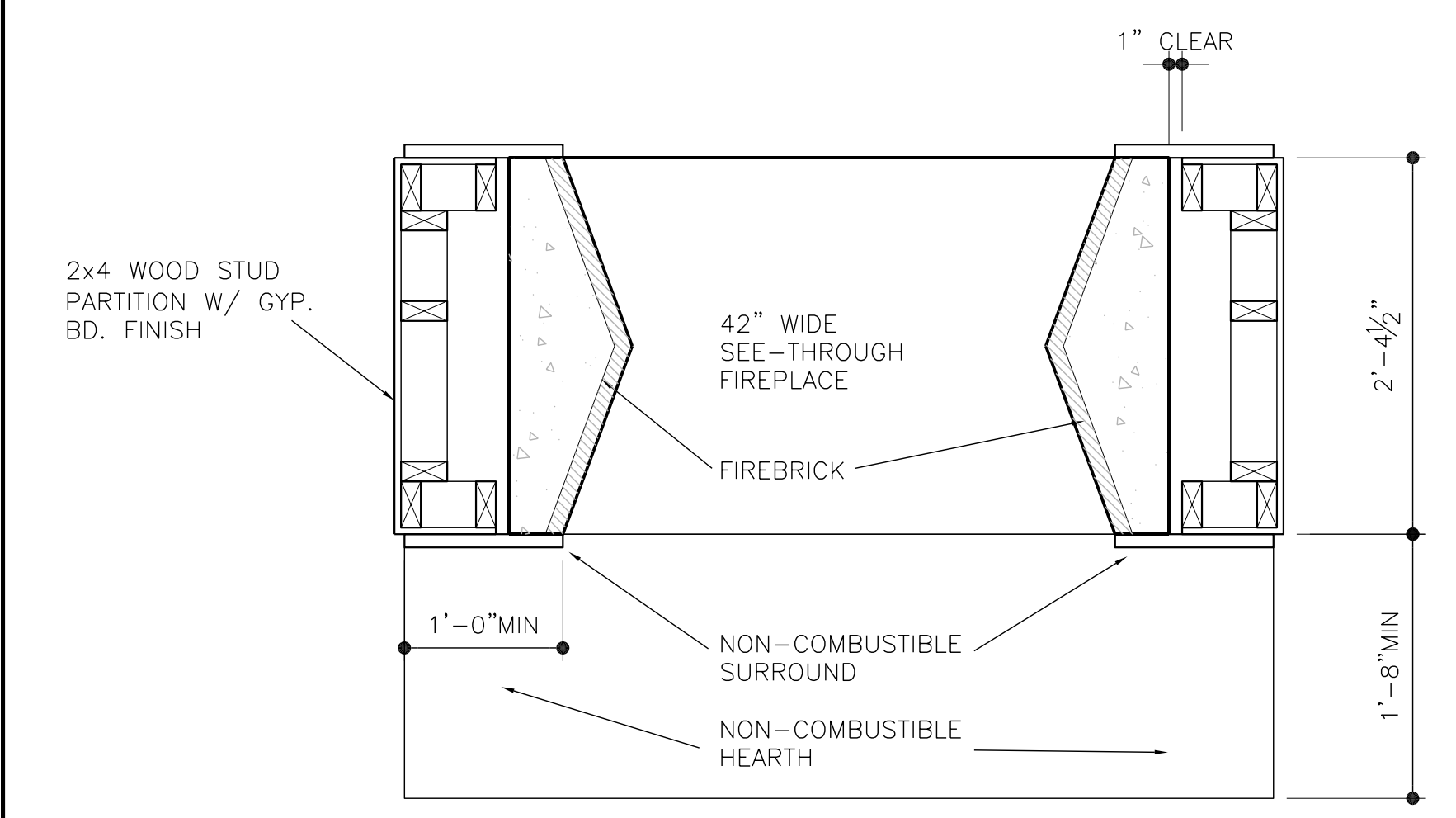
The fireplace, *rekindled.*

SEE-THROUGH FIREPLACE CONSTRUCTION SCENARIOS



PLAN SECTION- ALT. CONFIG. WOOD FRAMING

SCALE: 1" = 1'-0"



PLAN SECTION- WOOD FRAMING

SCALE: 1" = 1'-0"

RELEASE DATE **03/18/09**

SCALE **1" = 1'-0"**

SHEET

ST-S1